

Keywords: Dash Air Conditioning, Air Conditioning, Automotive, Automotive Air Conditioner, Air Conditioner, AC, *.*

Topic: Wiring, Denso Dash Air Conditioner **Issue Date:** 01/18/2001

The attached information is published with permission from Denso Sales California, Inc.

WIRING DIAGRAMS

Main Relay

Terminal No. / Battery Voltage	30	85	86	87	87A
Not Supplied		○—○			
	○—				○
Supplied		⊖—⊕			
	○—				○

- Indicates there is continuity between these terminals
- ⊖—⊕ Indicates terminals to which battery voltage is supplied

Main Relay connector

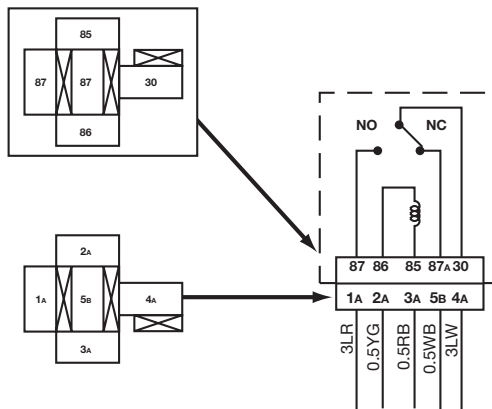


Fig. 130: Main Relay

Blower High Relay

Terminal No. / Battery Voltage	21A	2B	50	18B
Not Supplied	○—○			
Supplied	⊕—	⊖	○—○	

- Indicates there is continuity between these terminals
- ⊖—⊕ Indicates terminals to which battery voltage is supplied

Blower High Relay connector

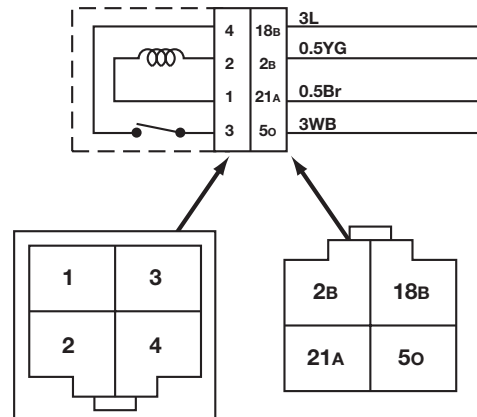


Fig. 131: Blower High Relay

- L = BLUE**
- G = GREEN**
- R = RED**
- Y = YELLOW**
- W = WHITE**
- B = BLACK**
- Br = BROWN**

Magnetic Clutch Relay

Terminal No.	13A	4I	12A	4E
Battery Voltage				
Not Supplied	○—○			
Supplied	⊖	⊕	○—○	

- Indicates there is continuity between these terminals
- ⊖—⊕ Indicates terminals to which battery voltage is supplied

Magnetic Clutch Relay connector

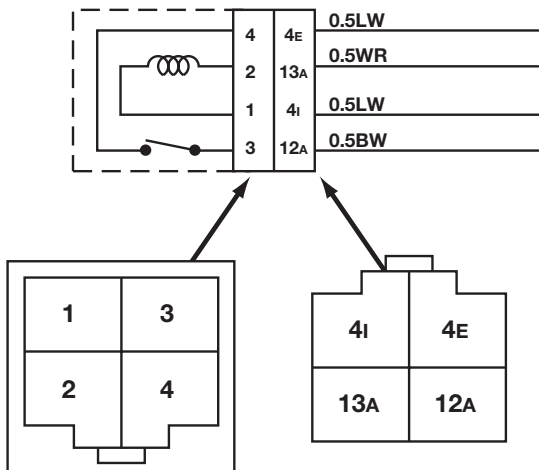


Fig. 132: Magnetic Clutch Relay

Mode Servo

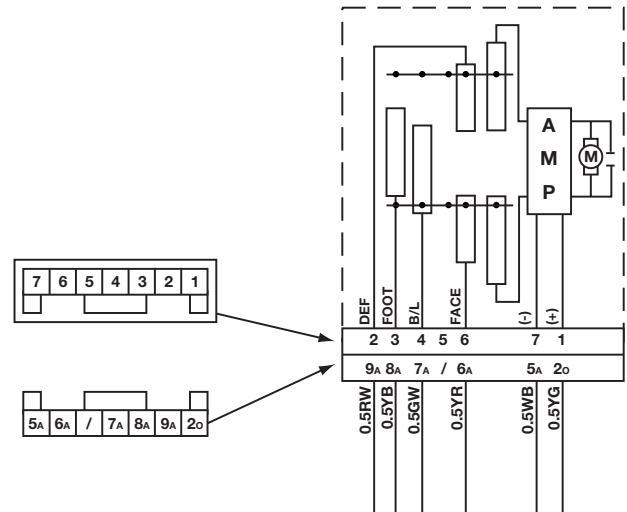


Fig. 133: Mode Servo

- L = BLUE**
- G = GREEN**
- R = RED**
- Y = YELLOW**
- W = WHITE**
- B = BLACK**
- Br = BROWN**

WIRING DIAGRAMS

Air Intake Servo

To check for voltage at the Air Intake Servo Sub Harness female connector, use chart below

Switch Position \ Main Harness Pin	1	2	4
	.5YG	.5YG	.5YL
Recirc (in)	(+) ---	---	(-)
Fresh (recirc out)	(+) ---	(-)	

⊖---⊕ Indicates terminals to which battery voltage is supplied

Air Intake Servo connector

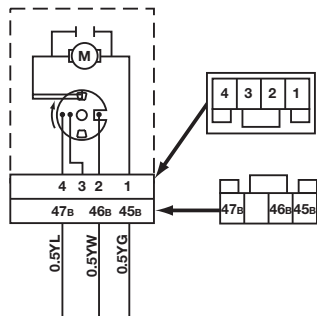


Fig. 134: Air Intake Servo

Pressure Switch

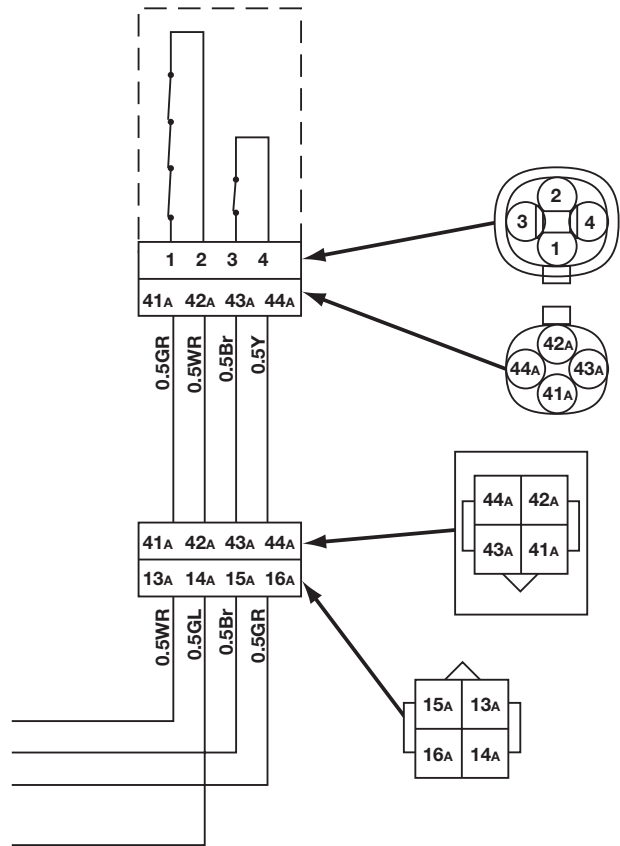


Fig. 135: Pressure Switch

- L = BLUE
- G = GREEN
- R = RED
- Y = YELLOW
- W = WHITE
- B = BLACK
- Br = BROWN

System Schematic (All Models)

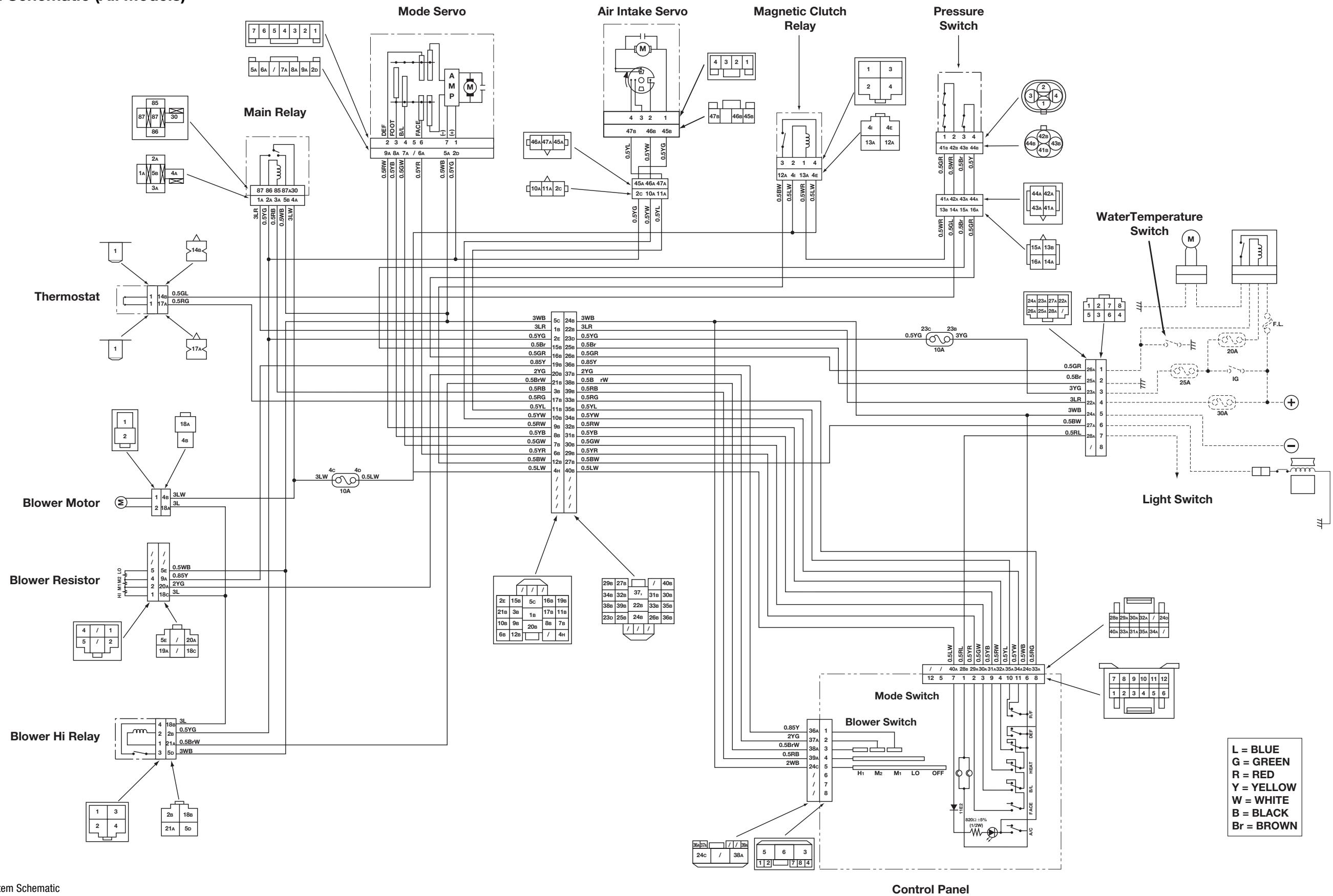


Fig. 136: System Schematic