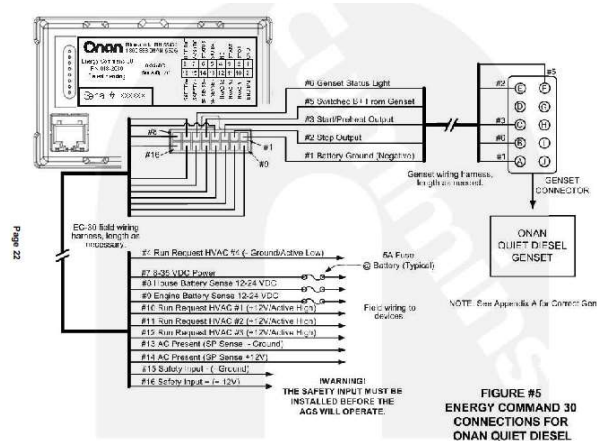
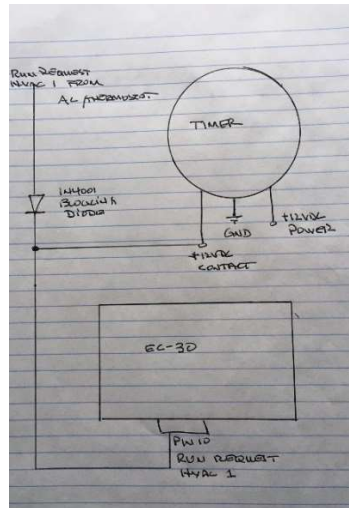


I was at a National Park that had generator hours from 8am – 10am and 4pm – 7pm. Since we were always gone before 8am I needed a way to run the generator during those hours.

I have a 2007 39V with the Onan EC-30 remote generator control. While this remote has many functions, it does not have the ability to start and stop the generator at any specific time. What it does have is the ability to start the generator when the AC / thermostat calls for heating or cooling, and shore power is not connected.

So I installed this timer: <https://tinyurl.com/3ccdptxk>



The timer has a relay contact output that closes and opens at times you set. I connected +12Vdc to one of the relay contacts, and spliced the other relay contact to the Run Request HVAC1 Input on the EC-30, Pin 10. I installed a 1N4001 blocking diode so the +12 Vdc from the timer did not back feed to the AC / thermostat.

Now at the desired start time the timer contacts close and the EC-30 thinks it is getting a signal from the AC / thermostat and it starts the generator.

At the desired stop time the timer contacts open and the EC-30 thinks that the AC / thermostat has removed the Run Request signal. However, that does not stop the generator. The EC-30 will run the generator for up to 15 minutes past the point the Run Request is removed. I assume that is to ensure that the AC has stopped, give the generator time to cool down, prevent the AC from cycling the generator if there are rapid temperature swings, or a combination of all.

So one must set the timer to turn off 15 minutes before the desired stop time.

The EC-30 must be set in the AUTO On mode, and if QUIET ON is activated the desired run times must not be in the QUIET ON set times. You can download the EC-30 manual here and learn how to set the AUTO ON and QUIET ON modes.

<https://tinyurl.com/cfv46s8n>

This modification has no impact on the normal operation of the EC-30 or generator. It simply tells the EC-30 that there is a Run Request and starts the generator if AUTO ON is on and QUIET ON is off or outside the QUIET ON set times.